



U.S. WARRANTY ONLY
HONORED WHEN
PURCHASED FROM A U.S.
AUTHORIZED DEALER

SIRUI T-0X SERIES ULTRA-COMPACT TRIPOD KIT



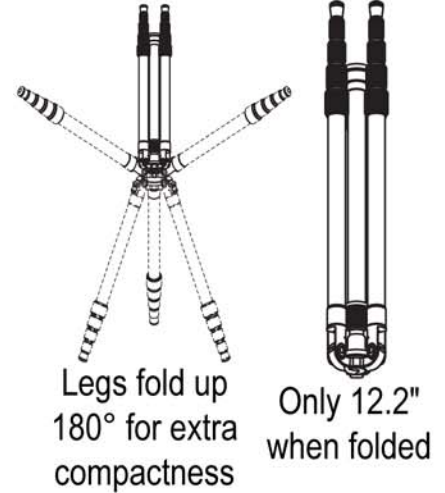
**T0X
Series**

**Ultra-compact tripod kit for today's
compact digital point & shoot
cameras, DSLRs and camcorders**

Removable
Center Column
for low-angle /
table-top
photography
and
Carabiner Clip
for easy
transport/
hanging weights



T-005X Aluminum Tripod Kit
T-025X Carbon Fiber Tripod Kit



T005XR RED

T005XL BLUE

T005XK BLACK

T025X

The exciting new **T-005X/025X Tripods + C10X Head Kits** were specially designed for today's compact point and shoot digital cameras, E.V.I.L. (Electronic Viewfinder w/Interchangeable Lens) cameras, DSLRs and camcorders.

SIRUI T-005X tripods have a shiny, colorful appearance (red, blue or black) that almost makes them look like works of art! The **T-025X** comes in elegant basic black and has 8 layer Carbon fiber legs for added load capacity and stability. The center column is now removable allowing for table-top and low angle photography. In addition, the carabiner clip provides easy transport of your **T-005X** and **T-025X Tripod**.

And their compact size - **only 12.2 inches (31cm) when folded!** - is 20-30% smaller than other similar style tripods. There's always room for one of these tiny wonders in your bag or backpack! And, they weigh less than the 1 liter bottle of water you are carrying.

Even though they are compact, and lightweight, these impressive tripods can still extend to over 54.5 inches (138cm) - perfect for most shooting situations. The **T-005X** can hold up to 8.8 lb. (4kg) and the **T-025X** can hold 13.2 lb. (6kg)!

Like the professional line of SIRUI tripods, there is no compromise in quality. Aluminum alloy parts are high temperature forged for maximum strength and SIRUI's custom anodized surface treatment insures superior wear and corrosion.

The **C-10X** - a high quality ball head that perfectly complements the tripods. The ball head has a color anodized surface that has a distinctive look, while providing excellent resistance to scratches and corrosion. It comes in 3 different colors (red, blue and black) that match the T-005X and T-025X.

Features

1. Removable center column allows for table-top use and low angle shooting (4.3" with C-10X Ball Head)
2. Legs fold up 180° for extra compactness
3. For speed and convenience, each leg has an automatic leg angle lock mechanism
4. 3 position leg angle for uneven terrain
5. Your choice of economical aluminum or lightweight carbon fiber

What's included:

C-10X Ballhead
TY-C-10X
quick release plate,
custom soft case,
tools, instruction

T-0X SERIES TRIPOD KITS

Item #	Sirui Model #	Materials	# of Sect.	Max Leg Diam	Min Leg Diam	Min Ht in (mm)	Max Ht in (mm)	Max Ht Ext in (mm)	Retract Ht in (mm)	Folded Ht in (mm)	Weight lb (kg)	Load lb (kg)	MSRP
BSRT005XR	T-005X RED	Aluminum Alloy	5	22	10	3.9 (99.1) ◇	48.6 (1213)*	54.5 (1391)*	18.9 (480)	12.2 (310)	2.2 (1.0) ‡	8.8 (4)	\$174.95
BSRT005XL	T-005X BLUE	Aluminum Alloy	5	22	10	3.9 (99.1) ◇	48.6 (1213)*	54.5 (1391)*	18.9 (480)	12.2 (310)	2.2 (1.0) ‡	8.8 (4)	\$174.95
BSRT005XK	T-005X BLACK	Aluminum Alloy	5	22	10	3.9 (99.1) ◇	48.6 (1213)*	54.5 (1391)*	18.9 (480)	12.2 (310)	2.2 (1.0) ‡	8.8 (4)	\$174.95
BSRT025X	T-025X	Carbon Fiber	5	22	10	3.9 (99.1) ◇	48.6 (1213)*	54.5 (1391)*	18.9 (480)	12.2 (310)	1.7 (0.8) ‡	13.2 (6)	\$269.95

◇ - with Center Column removed

* - Height including C-10 Ball Head

‡ - Weight including C-10 Ball Head



Address: 111 Asia Place, Carlstadt, NJ 07072
Phone: 201.939.7722

www.argraph.com

Twitter: @argraph

